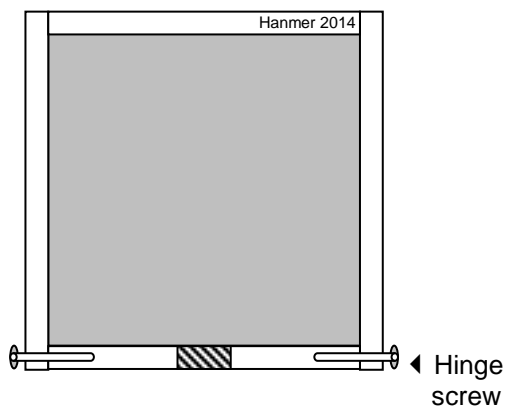
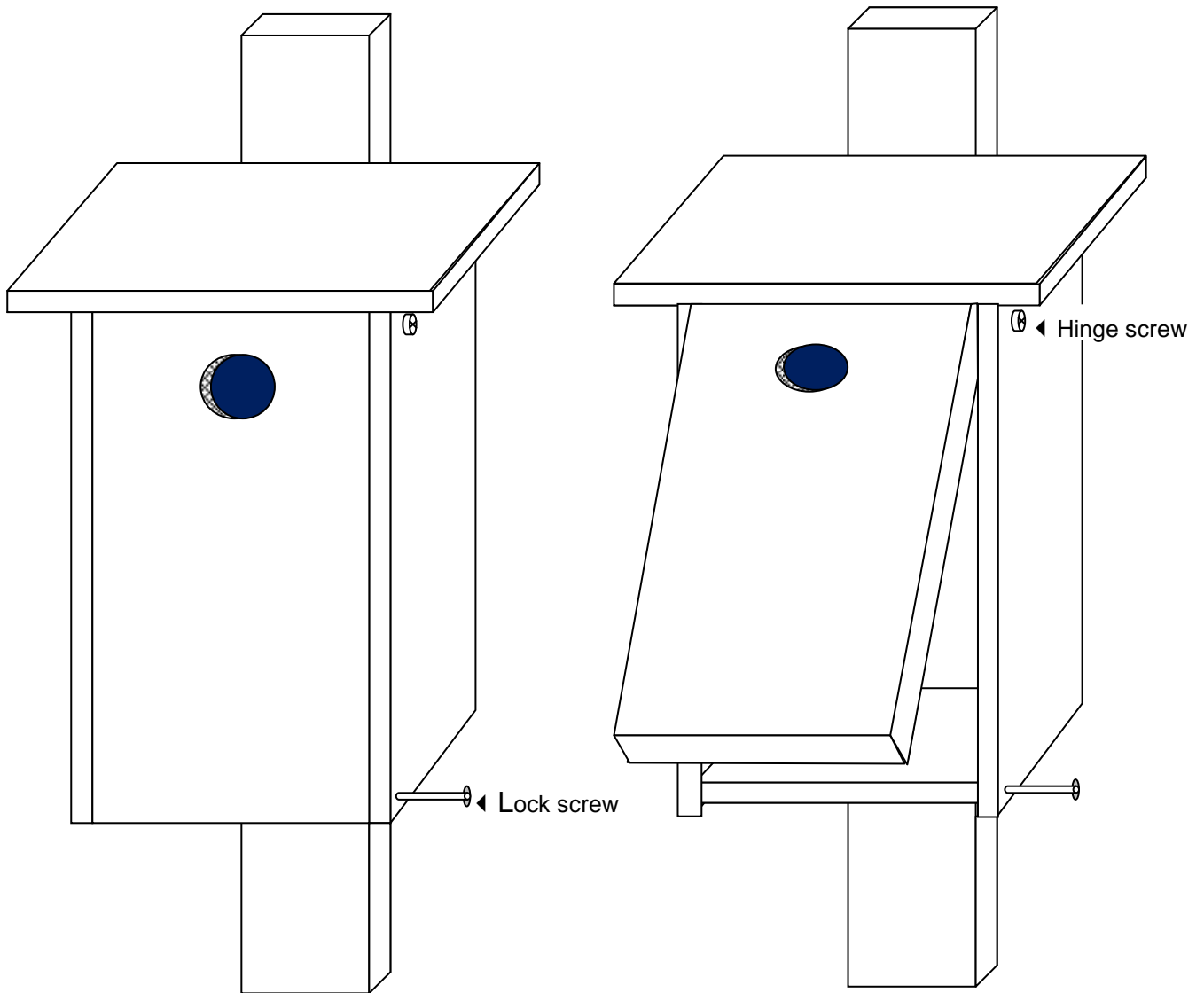
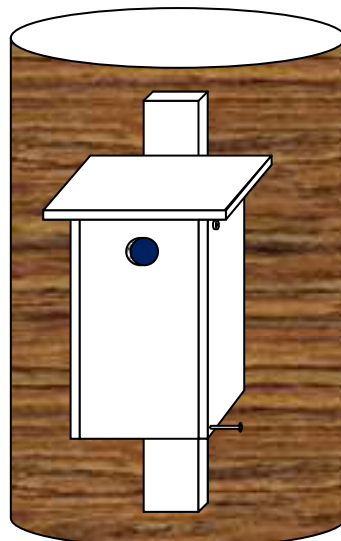


The Northumberland swing front bird box- for Sparrows, Tits and Redstarts

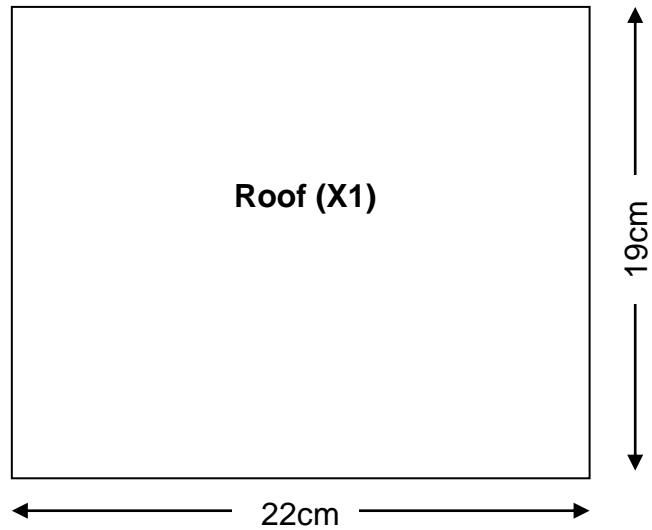


Plan view inside box.



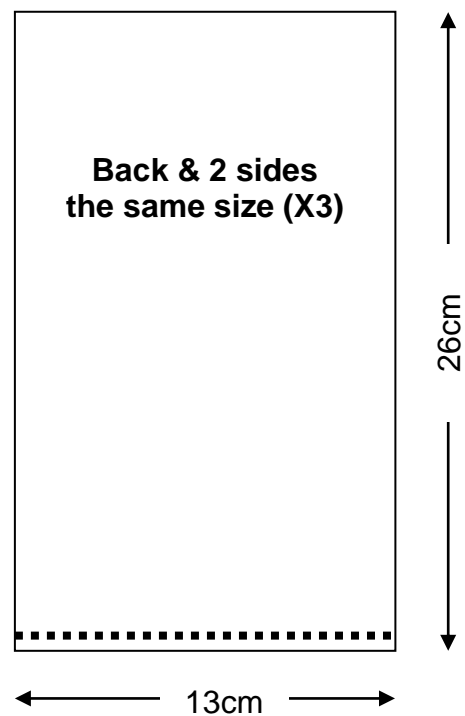
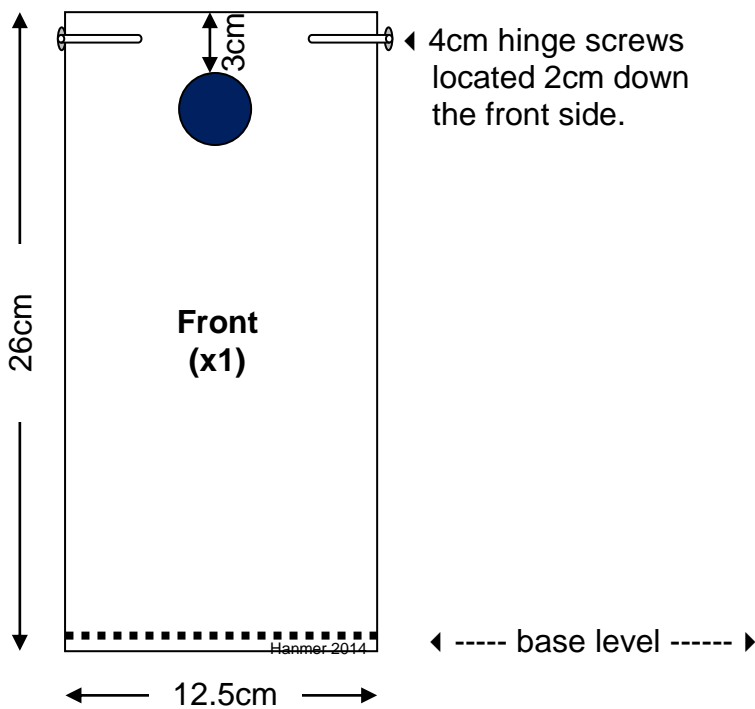
Screw on to a 46cm
batten and attach to
the tree.
(2.5 metres is quiet
high enough)

- Use a minimum wood thickness of 18mm (exterior quality)
- Paint the whole exterior first with water based fence paint; then paint over the roof with an oil based outside gloss.



Hole size

40mm diameter hole for Redstarts
 28mm for Tree Sparrows & Great Tits
 25mm for small Tits



Insert base 0.5cm up from the bottom of the box. This will give a lip to help opening the front.

