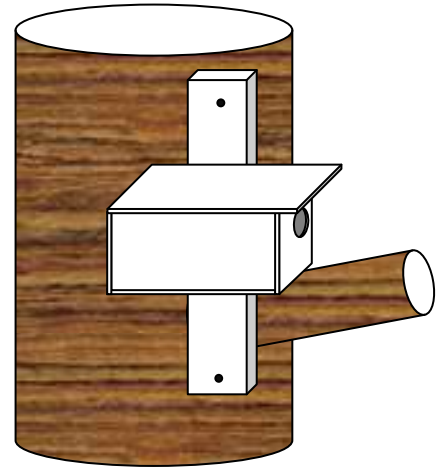
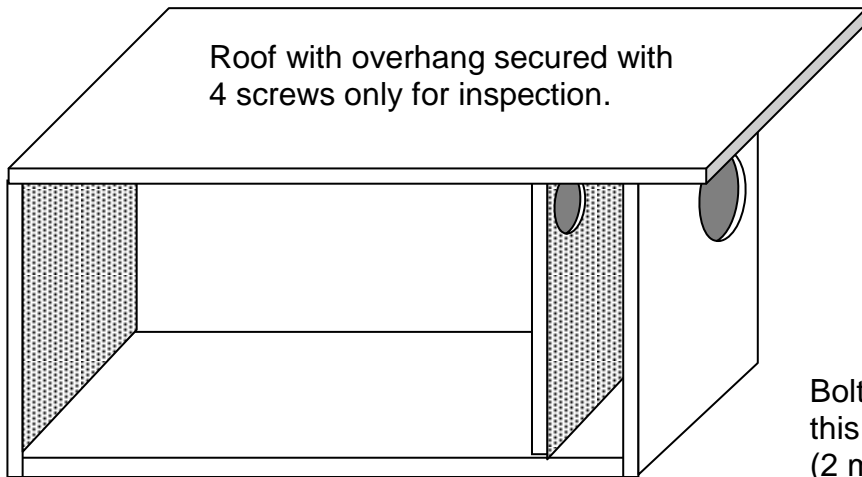
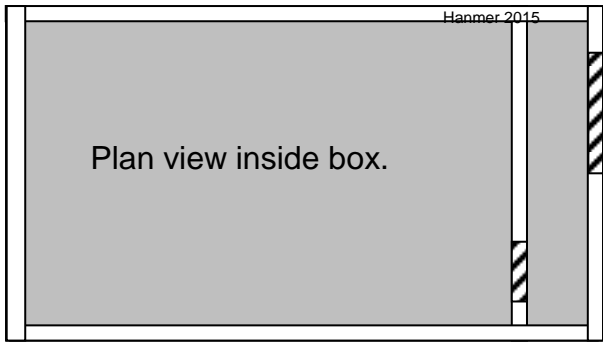


The Northumberland Little Owl box -

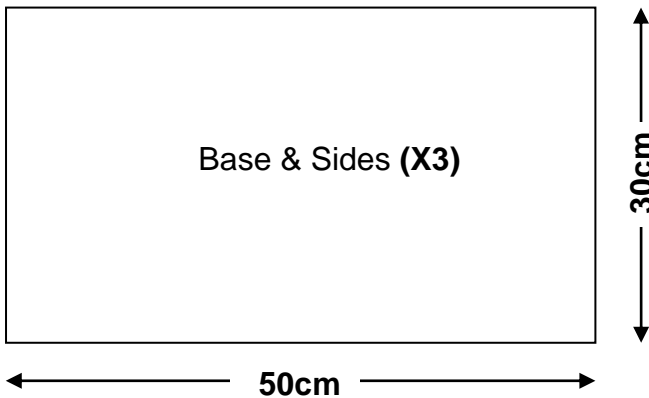
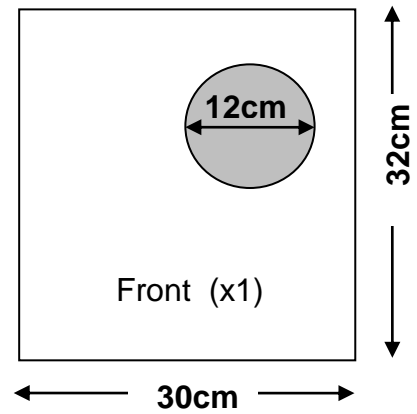


Bolt the box to a 65cm batten and attach this to a tree with a nearby branch. (2 metres is high enough)
Use a minimum wood thickness of 18mm (exterior quality ply)



Baffle gap - 8cm

Hole size - 12cm diameter



Hole size - 7cm diameter, 3cm from edges in top left corner.

